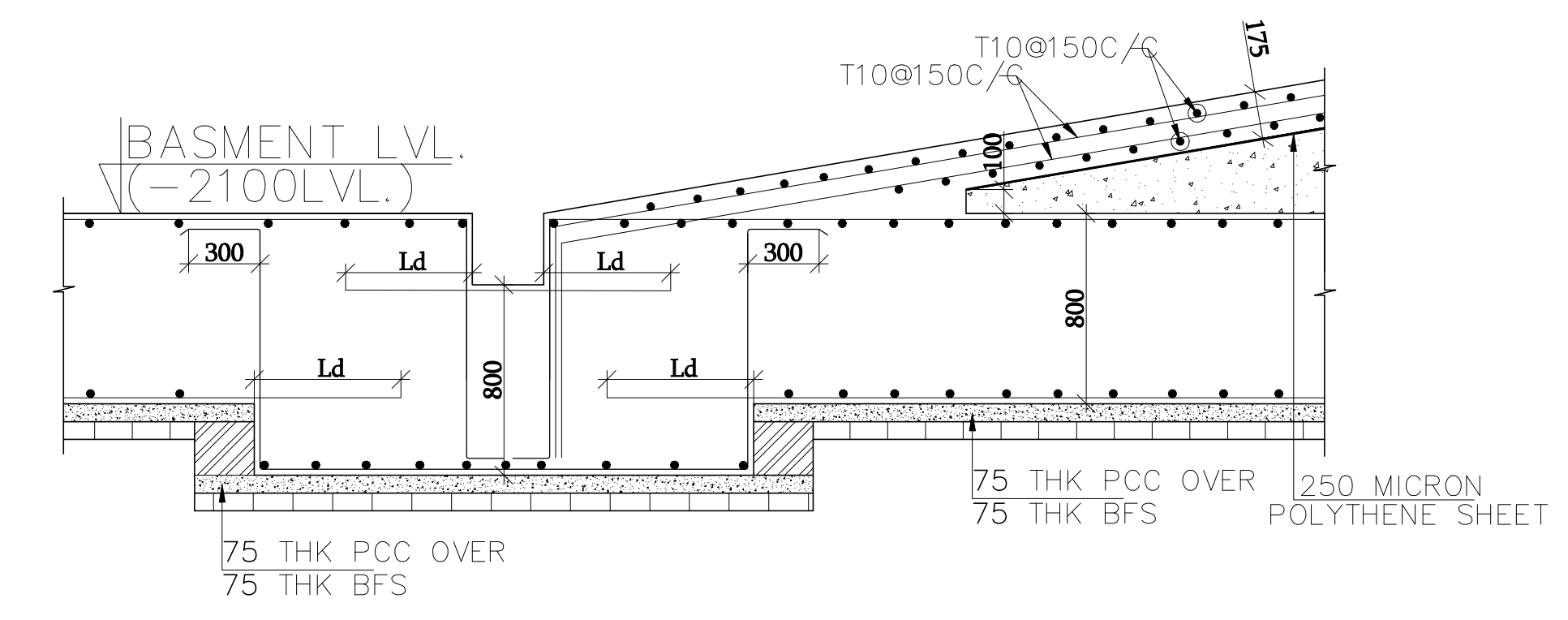


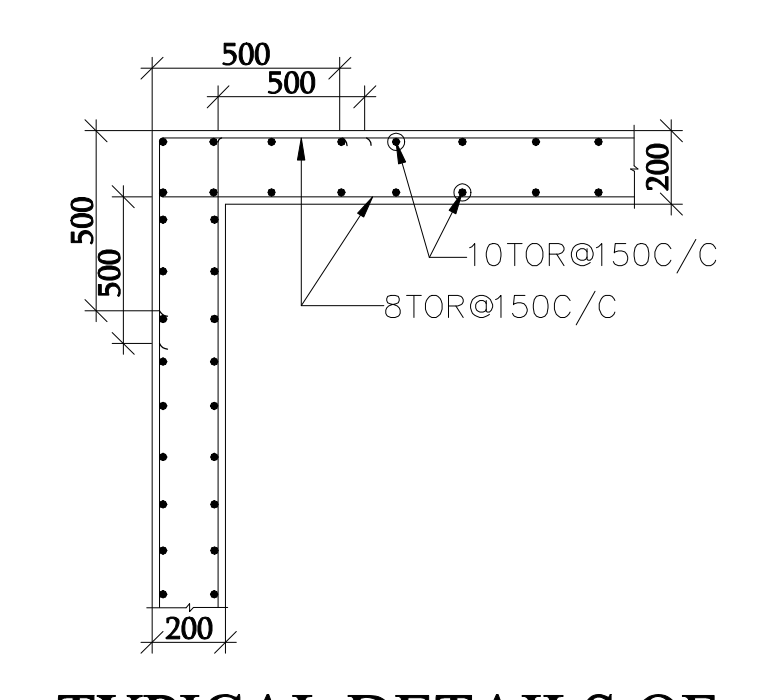
BEAM SCHEDULE GRADE OF CONC. M-25									
BEAM MKD.	SIZE	REINF. AT LEFT SUPPORT		REINF. AT SPAN		REINF. AT RIGHT SUPPORT		STIRRUPS	
		TOP	BOTT.	TOP	BOTT.	TOP	BOTT.	SUPPORT	SPAN
B1	250X600	5-20TOR	3-20TOR	2-20TOR	3-20TOR+2-16TOR	5-20TOR	3-20TOR	2L-T8@100C/C	2L-T8@200C/C
B2	250X600	3-20TOR	3-20TOR	3-20TOR	3-20TOR	3-20TOR	3-20TOR	2L-T8@100C/C	2L-T8@100C/C
B3	250X600	4-20TOR+2-16TOR	4-16TOR+1-12TOR	2-20TOR	4-16TOR+1-12TOR	4-20TOR+1-16TOR	4-16TOR+1-12TOR	2L-T8@100C/C	2L-T8@200C/C
B4	250X600	6-16TOR	4-16TOR	2-16TOR	4-16TOR	6-16TOR	4-16TOR	2L-T8@100C/C	2L-T8@200C/C
B5	250X600	3-16TOR	3-20TOR	3-16TOR	5-20TOR	3-16TOR	5-20TOR	2L-T8@100C/C	2L-T8@150C/C
B6	250X600	3-16TOR	3-16TOR	3-16TOR	3-16TOR	3-16TOR	3-16TOR	2L-T8@150C/C	2L-T8@150C/C
B7	250X600	2-16TOR+1-20TOR	3-16TOR	2-16TOR	3-16TOR	2-16TOR+1-12TOR	3-16TOR	2L-T8@100C/C	2L-T8@200C/C
B8	250X600	2-16TOR	2-16TOR	2-16TOR	2-16TOR	2-16TOR	2-16TOR	2L-T8@150C/C	2L-T8@150C/C
B9	250X600	5-25TOR	4-16TOR+1-20TOR	2-25TOR	4-16TOR+1-20TOR	5-25TOR	4-16TOR+1-20TOR	2L-T8@100C/C	2L-T8@200C/C
B10	250X600	2-16TOR	2-16TOR	2-16TOR	2-16TOR	2-16TOR	2-16TOR	2L-T8@150C/C	2L-T8@150C/C
B11	250X600	5-20TOR	4-16TOR	5-20TOR	4-16TOR	5-20TOR	4-16TOR	2L-T8@100C/C	2L-T8@100C/C
B12	250X600	4-16TOR	6-16TOR	4-16TOR	6-16TOR	4-16TOR	3-16TOR	2L-T8@100C/C	2L-T8@150C/C
B13	250X600	3-16TOR	3-16TOR	3-16TOR	3-16TOR	3-16TOR	3-16TOR	2L-T8@100C/C	2L-T8@100C/C
B14	250X600	2-16TOR	2-16TOR	2-16TOR	2-16TOR	2-16TOR	2-16TOR	2L-T8@150C/C	2L-T8@150C/C
B15	250X600	2-16TOR	2-16TOR	2-16TOR	2-16TOR	2-16TOR	2-16TOR	2L-T8@150C/C	2L-T8@150C/C
LB	200X600	2-16TOR+1-12TOR	2-16TOR	2-16TOR+1-12TOR	2-16TOR	2-16TOR+1-12TOR	2-16TOR	2L-T8@150C/C	2L-T8@150C/C
MB	250X600	6-16TOR	3-16TOR	6-16TOR	3-16TOR	6-16TOR	3-16TOR	2L-T8@100C/C	2L-T8@200C/C

SLAB SCHEDULE GRADE OF CONCRETE - M25			
SLAB MKD	DEPTH	REINF. AT SHORTER SPAN	REINF. AT LONGER SPAN
S1	175	10TOR@125C/C (T) 10TOR@125C/C (B)	10TOR@200C/C (T) 10TOR@200C/C (B)
S2	175	10TOR@125C/C (T) 10TOR@125C/C (B)	10TOR@150C/C (T) 10TOR@150C/C (B)
S3	175	10TOR@125C/C (T) 10TOR@125C/C (B)	10TOR@150C/C (T) 10TOR@150C/C (B)
S4	150	8TOR@150C/C	8TOR@150C/C
S5	150	8TOR@150C/C	8TOR@150C/C
S6	175	10TOR@200C/C (T) 10TOR@125C/C (B)	10TOR@200C/C (T) 10TOR@125C/C (B)

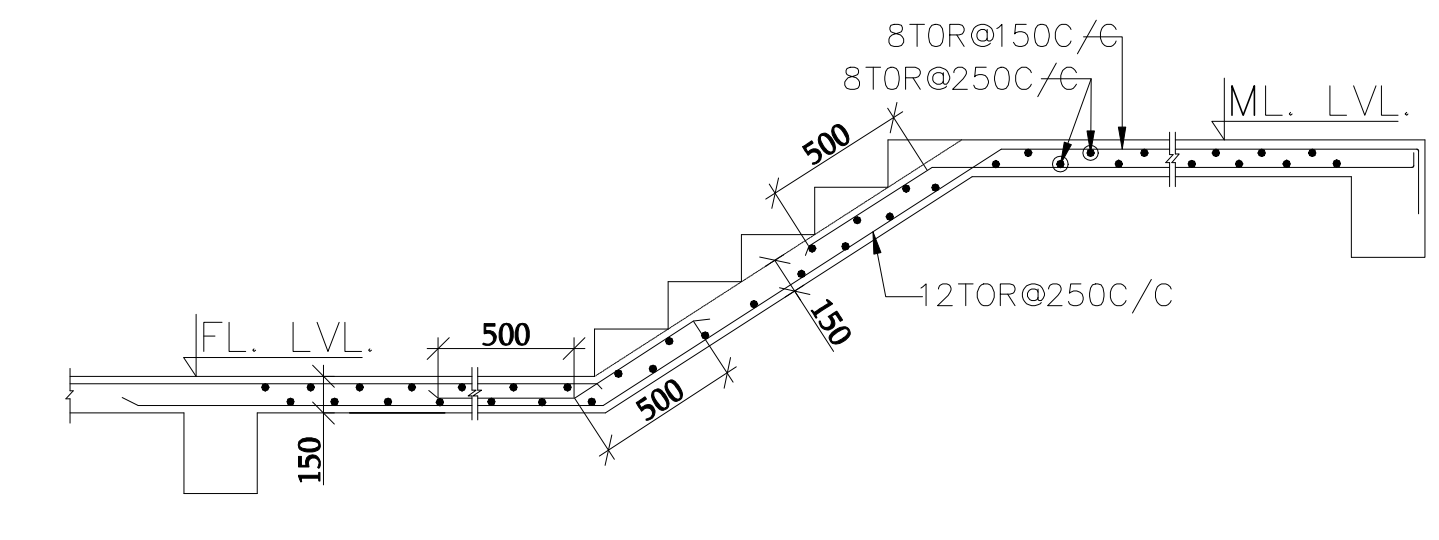
COLUMN SCHEDULE GRADE OF CONCRETE - M30										
	16-20TOR	18-20TOR	6-20TOR+20-16TOR	6-16TOR+18-20TOR	36-25TOR	22-20TOR	22-20TOR		6-20TOR+20-16TOR	
5TH FLOOR TO ROOF	16-20TOR	18-20TOR	26-20TOR	24-20TOR	36-25TOR	22-20TOR	22-20TOR		26-20TOR	
2ND FLOOR TO 5TH FLOOR	16-20TOR	18-20TOR	26-20TOR	24-20TOR	36-25TOR	22-20TOR	22-20TOR		26-20TOR	
1ST FLOOR TO 2ND FLOOR	16-20TOR	6-25TOR+12-20TOR	26-20TOR	24-20TOR	36-25TOR	22-20TOR	22-20TOR	18-20TOR	26-20TOR	
FOUNDATION TO 1ST FLOOR	16-20TOR	18-25TOR	26-20TOR	24-20TOR	36-25TOR	22-20TOR	22-20TOR	18-20TOR	26-20TOR	
COL SIZE	300X600	300X750	300X900	300X950	300X1950	300X1000	300X1050	300X750	350X750	
LINK	8TOR@75C/C AND 8TOR@125C/C									
COL MARKED	C1	C2	C3	C4	C5	C6	C7	C8	C9	



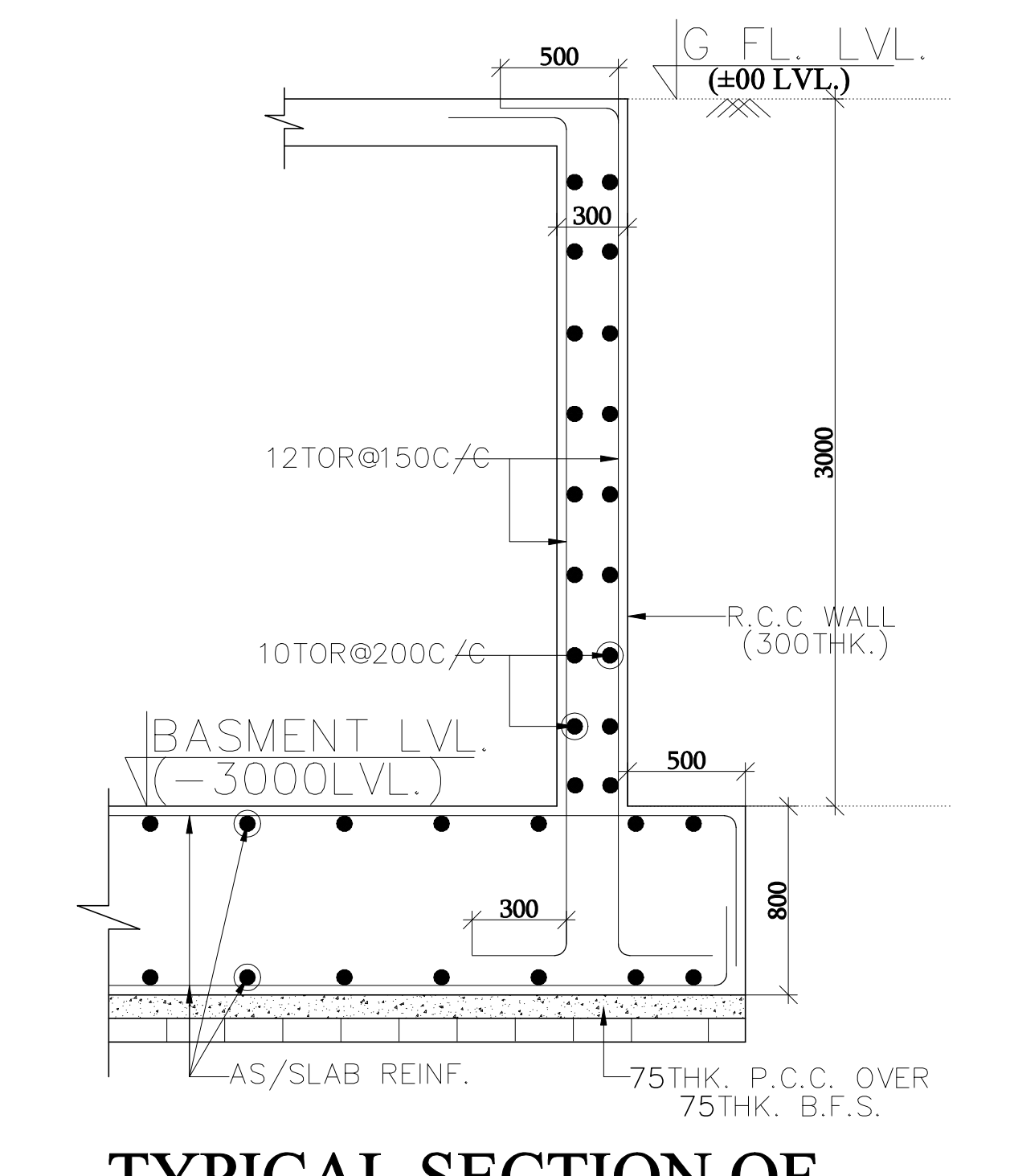
TYPICAL SECTION OF RAMP



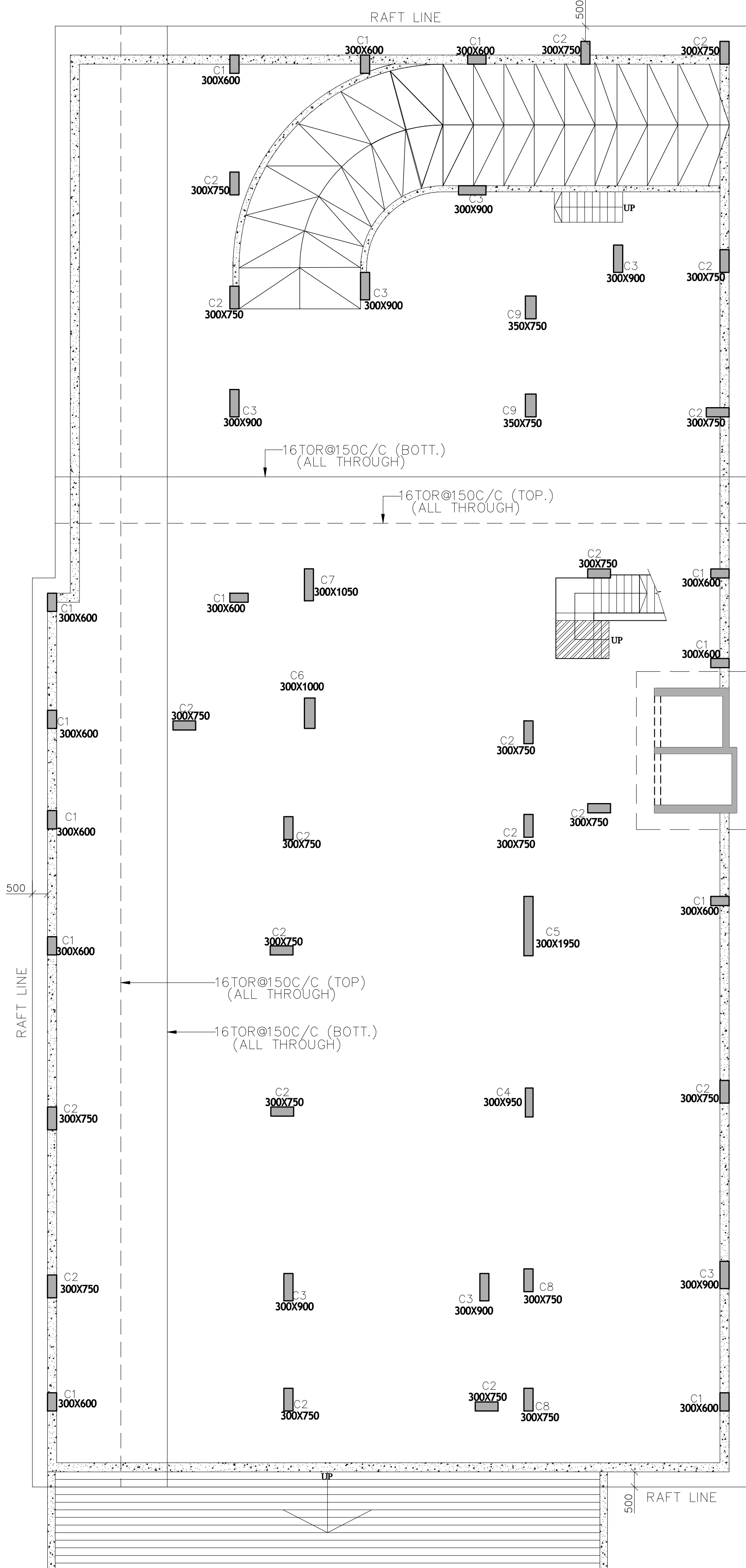
TYPICAL DETAILS OF LIFT WALL



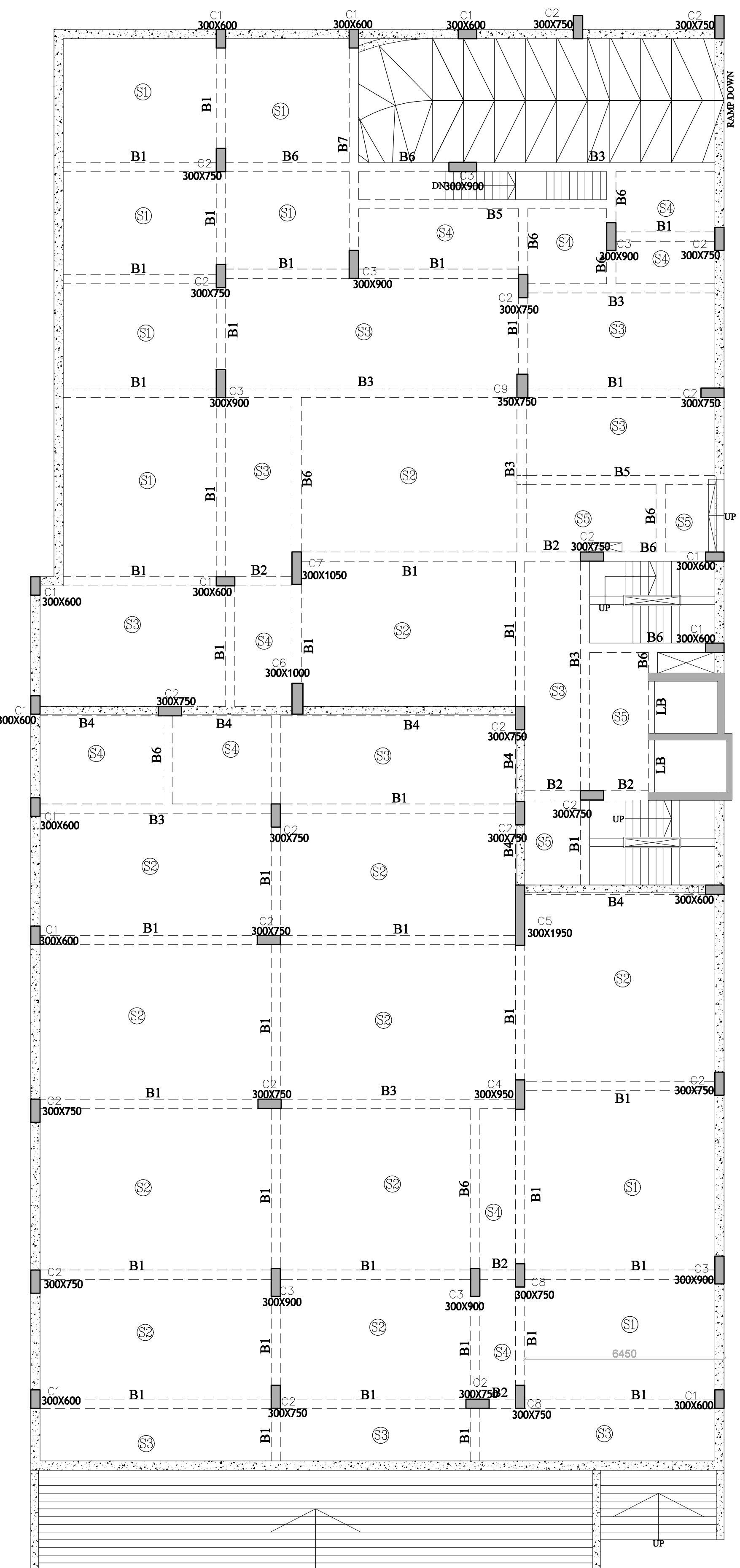
TYPICAL DETAILS OF STAIR



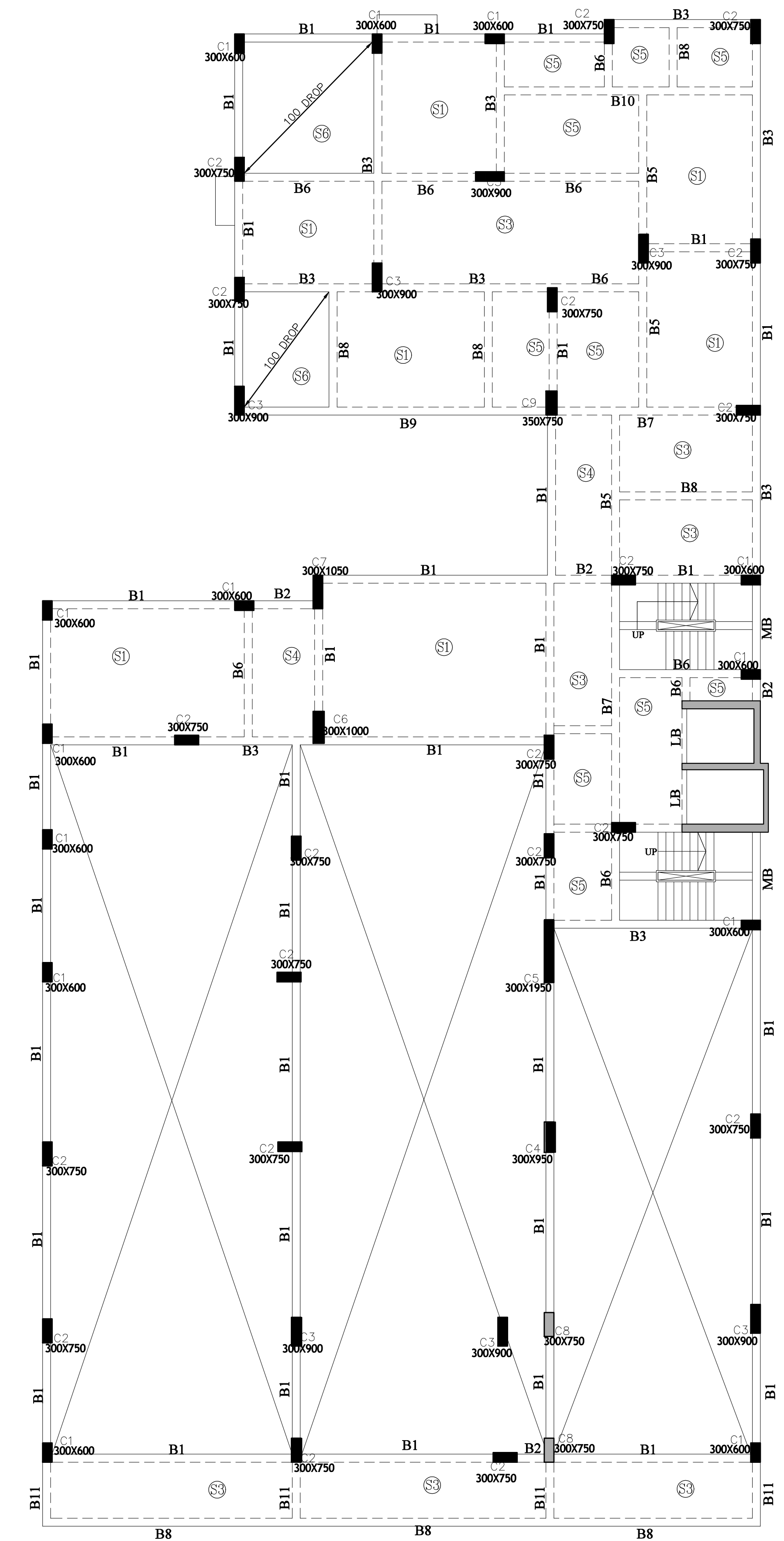
TYPICAL SECTION OF R.C.C WALL FROM RAFT(-3000)



BASMENT LAYOUT



GROUND FL. BEAM LAYOUT



1ST FL. BEAM LAYOUT

- NOTES:-
1. ALL DIMENSIONS ARE IN MM. UNLESS OTHERWISE MENTIONED.
  2. ANY AMBIGUITY IN THE DRAWINGS SHOULD BE IMMEDIATELY BROUGHT TO THE NOTICE OF THE CONSULTANT BEFORE COMMENCING THE WORK.
  3. SUPER STRUCTURE : SUPER STRUCTURE SHALL BE OF 1ST CLASS BRICK IN 1:6 CEMENT MORTAR.
  4. THIS DRAWING IS TO BE READ ALONG WITH ALL RELEVANT ARCHITECTURAL DRAWINGS.
  5. ALL GRADE OF CONCRETE - M25
  6. ALL MATERIALS SHALL CONFORM TO RELEVANT IS CODES.
  7. FOR STEEL GRADE Fe 500 AS PER IS 1786-1979.
  8. ALL DISTRIBUTION BARS ARE 8 @ 250 C/C AND TO BE PROVIDED WHEREVER REQUIRED.
  9. ALL CHAIRS ARE 10# AND TO BE PROVIDED WHEREVER REQUIRED.
  10. ALL SPACER BARS ARE 25 @ 300 C/C AND TO BE PROVIDED WHEREVER REQUIRED.
  11. LAPS, SPLICES & BOND LENGTH SHOULD BE 50 D WHERE 'D' IS THE SMALLEST BAR DA.
  12. FOUNDATION & PLINTH : BRICKWORK IN FOUNDATION & PLINTH SHALL BE OF 1ST CLASSBRICK IN 1:6 CEMENT MORTAR.
  13. MINIMUM CLEAR COVER TO REINFORCEMENT IS AS FOLLOWS:
 

MEMBER	TOP	BOTTOM	SIDE
a. FOUNDATION BEAM & SLAB	50	50	50
b. COLUMN			40
c. FLOOR BEAM	30	30	30
d. TIE BEAM	30	30	30
e. FLOOR SLAB	20	20	20
  14. THIS DRAWING IS THE PROPERTY OF M/S S.P.A CONSULTANT AND CANNOT BE COPIED OR USED WITHOUT THEIR WRITTEN PERMISSION.

SCHEDULE OF LAND	
1. MORZA	=DABRANG
2. I.L. NO	=42
3. PLOT NO.	=138, 139, 150, 151, 160(L.R.)
4. SHEET NO.	=38
5. PLOT NO.	=56 (42, R.S)
6. SHEET NO.	=4
7. KHATAN NO.	=42 (L.R.)
8. KHATAN NO.	=771 (R.S)
9. DIST.	=BHAKTANAGAR
	=JALPAIGURI

CERTIFICATE OF ARCHITECT

I DO HEREBY CERTIFY WITH FULL RESPONSIBILITY THAT THE BUILDING PLAN HAS BEEN DRAWN UP AS PER PROVISIONS OF S.M.C. BUILDING RULES OF 2009 AS AMENDED TIME THAT THE WIDTH OF THE BUILDING ROADS CONFORM WITH THE BUILDING PLAN AND IT IS NOT A TANK OR A FILLED UP TANK, THE SITE IS DEMARKED BY BOUNDARY WALLS AND MEASUREMENT AGREED WITH THE DEED PLAN, IT IS FULLY OCCUPIED BY THE OWNER.

SIGNATURE OF ARCHITECT

CERTIFICATE OF OWNER

THIS IS TO CERTIFY THAT THE STRUCTURAL DESIGN & DRAWINGS OF BOTH FOUNDATION AND SUPER-STRUCTURE OF THE BUILDING HAS BEEN MADE BY ME CONSIDERING ALL POSSIBLE LOADS INCLUDING THE SEISMIC LOAD AS PER NATIONAL BUILDING CODE OF INDIA AND CERTIFIED THAT IT IS SAFE AND STABLE WITH ALL RESPECTS.

SIGNATURE OF OWNER

CERTIFICATE OF STRUCTURAL ENGINEER

THIS IS TO CERTIFY THAT THE STRUCTURAL DESIGN & DRAWINGS OF BOTH FOUNDATION AND SUPER-STRUCTURE OF THE BUILDING HAS BEEN MADE BY ME CONSIDERING ALL POSSIBLE LOADS INCLUDING THE SEISMIC LOAD AS PER NATIONAL BUILDING CODE OF INDIA AND CERTIFIED THAT IT IS SAFE AND STABLE WITH ALL RESPECTS.

SIGNATURE OF STRUCTURAL ENGINEER

SANJIV J. PAREKH  
M.E. (STRUC.), PCCOM.C. (ENG.)-1  
MSE (ASCE), AM-12312  
E.S.E.-A-13 S.M.C.

SIGNATURE OF GEO-TECH. ENGINEER

PROJECT  
PROPOSED (B-G-VII) STORED RESIDENTIAL CUM COMMERCIAL BUILDING OF SRIH VINDYAK BUILDERS AT PRANAMI MANDIR ROAD, JYOTI NAGAR, P.O. SILIGURI, P.S. BHAKTANAGAR, DIST. JALPAIGURI.

TITLE -  
STRUCTURAL DRAWING FOR CORPORATION (BLOCK-3)

ARCHITECT -  
Mass & Void Architect & Interior Consulting

STRUCTURAL ENGINEERS  
S.P.A. CONSULTANTS  
34, 5th Floor, The Elysia Hub, Sector-10, Gurgaon - 122002  
PH. NO 2485-5448/9, 2475-7814, TELE FAX 2- mail apa\_cons@yashoo.co.in

DRAWN BY - Deyo  
CHECKED BY -  
DATE - 14.09.2022

JOB NO. 2021 103 M S V S.P.A.  
DRG. NO. 2021/103/M/SV/S.P.A./P.MANDIR(BL-3)/CS-01

